

ROUND RODS FOR ADAPTERS 15 MM ROLLERS (R) STEEL



Round $\varnothing 8$ mm rod with 15 mm roller, for handles and latches with multi-point cams. The length L in the drawing is the total length from the flat end to the end of the roller. Rod model R is used with a rod adapter (to be ordered separately). The adapter adds 14 mm to the total length (see drawing).

This product is delivered in custom lengths and is available on request only.



MATERIAL

Rivet: Steel, zinc plated

Rod: Steel, zinc plated

Roller: Glass fibre reinforced polyamide (PA6GF30)

RELATED PRODUCTS

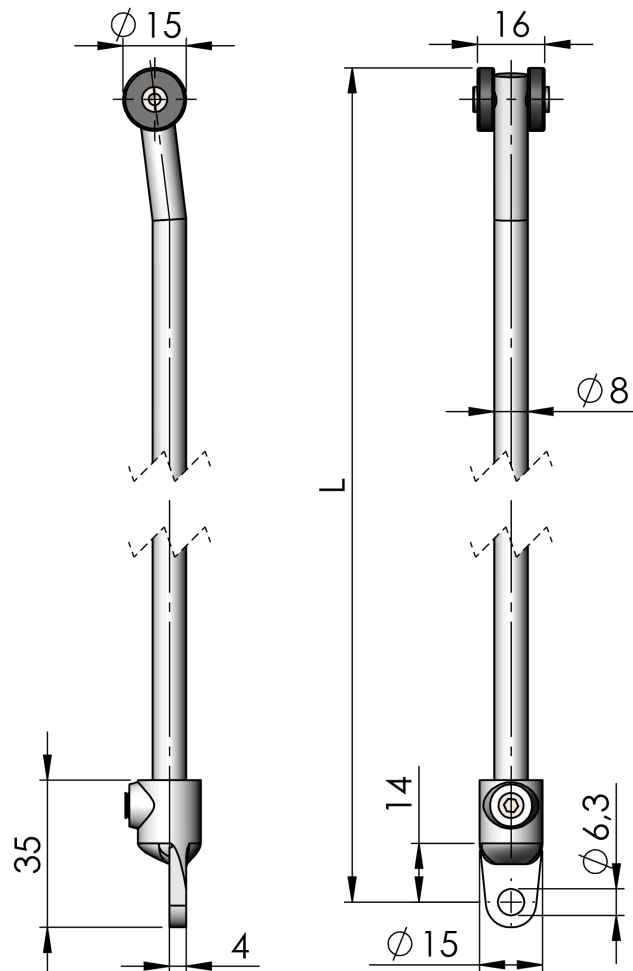
Cams: 2-490, 2-491, 2-500b, 2-510

Rod guides: 2-560, 2-570

Rod adapters: 2-541

Other materials: 2-541

Use the Index Code at industrilas.com



Industrilas
— When access counts —

P/N	Material	Length in mm	Type
282111	Steel	L=400 mm	Rod R
282112	Steel	L=500 mm	Rod R
282113	Steel	L=600 mm	Rod R
282114	Steel	L=800 mm	Rod R
282115	Steel	L=900 mm	Rod R
282116	Steel	L=1000 mm	Rod R
282117	Steel	L=1100 mm	Rod R
282118	Steel	L=1200 mm	Rod R
282121	Steel	L=700 mm	Rod R